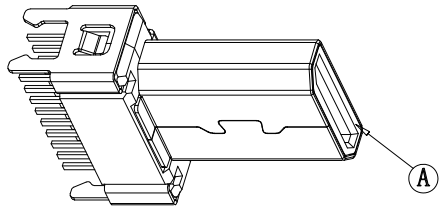
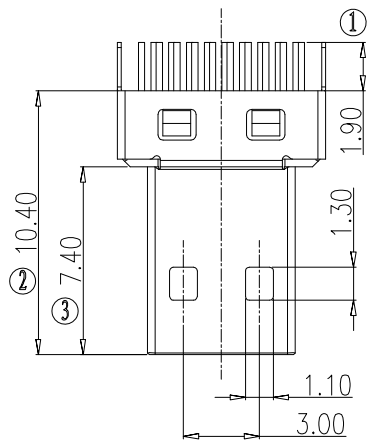
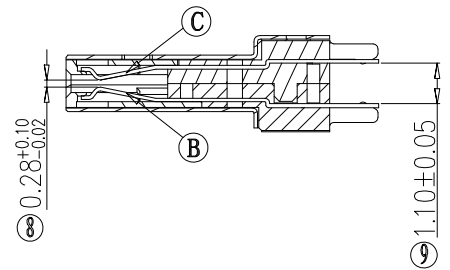
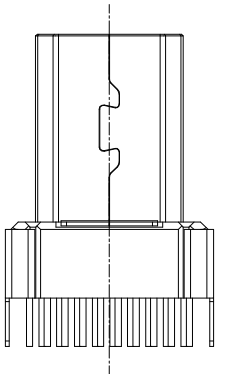
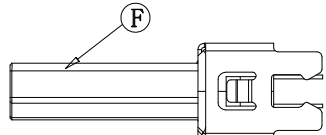
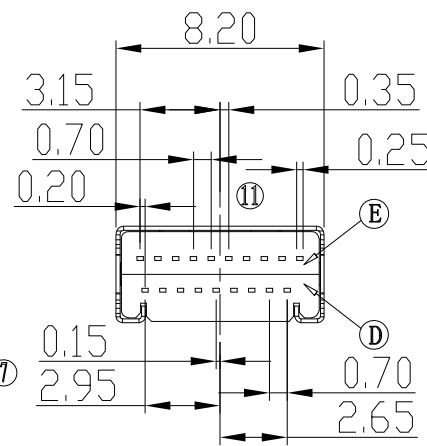
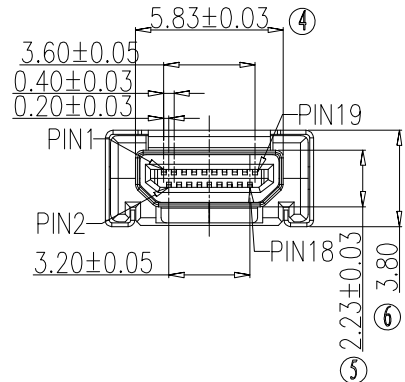


REV.	ESN. NO.	DESCRIPTION	DATE
A0		初版发行	2012/06/19



NOTE:

1. Electrical
 - 1.1. Rated Voltage: 40V AC/DC maximum
 - 1.2. Rated Current: 0.3A max.
 - 1.3. Dielectric strength: 150V AC/1 minute
 - 1.4. Insulation Resistance: 150V DC 10mΩ min.
 - 1.5. Contact Resistance: 30mΩ max.
2. Mechanical
 - 2.1. Insertion Force Max: 4.5kgf max.
 - 2.2. Removal Force Min:
 - 1.0kgf min. , 4.0kgf max.
 - 2.3. Durability: 3000 cycles at 100±50 cycles per hour
3. Plating
 - 3.1. Terminal: Contact area:
 - 1u" gold plate over 50u" NI min.
 Solder area: 100u" pure TIN plate over 50u" NI .min
 - 3.2. Shell: 1U" gold plate over 100U" Ni min
4. Ambient Temperature: -55° C To +85° C



F	SHELL	C2680-H T=0.15mm	1u"gold plate over100u"N	
E	Molding (10P)	HIGH TEMPERATURE THERMOPLASTICS	UL 94V-0	BLACK
D	Molding (9P)	HIGH TEMPERATURE THERMOPLASTICS	UL 94V-0	BLACK
C	CONTACT (10P)	C5191-H T=0.20mm	PLATING AU 1u Min Solder area:100u" pure TIN	
B	CONTACT (9P)	C5191-H T=0.20mm	PLATING AU 1u Min Solder area:100u" pure TIN	
A	HOUSING	HIGH TEMPERATURE THERMOPLASTICS	UL 94V-0	BLACK

TOLERANCE :		东莞市库乐信息科技有限公司						
X.	±0.30	DATE	2012-06-19		TITLE: MDMI D TYPE 公头 夹板式1.0			
.X	±0.20					DRAWN	Tin	
.XX	±0.15							
.XXX	±0.08					APPROVED	Michael	
3rd ANGLE PROJECTION		CONFIDENTIAL		DRAWNO:	SIZE A4	VERSION A0		
				SCALE 1:1	UNIT 1:1	SHEET 1/1		